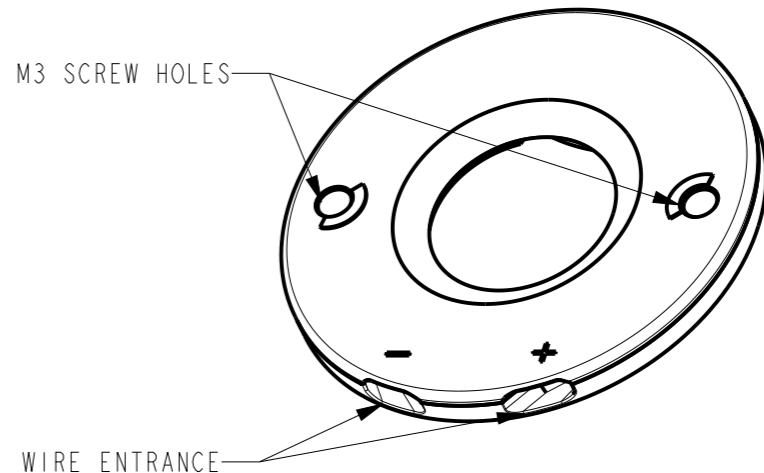
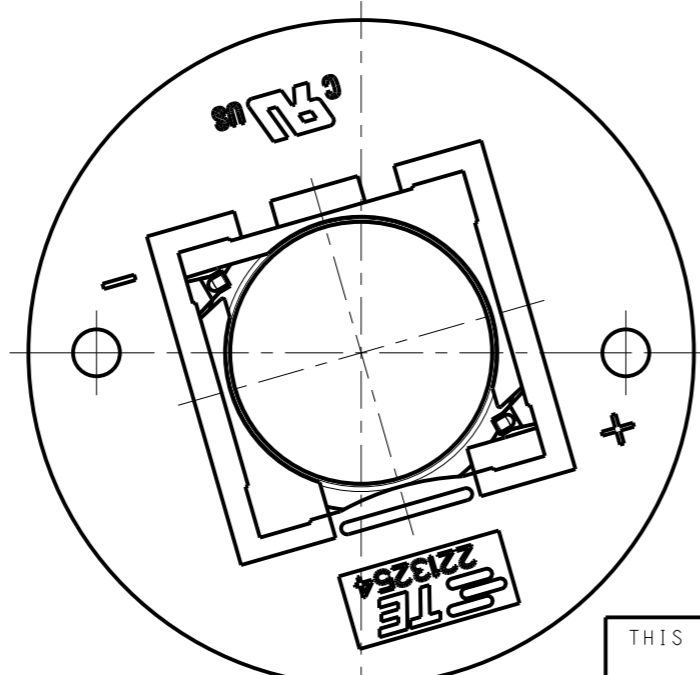
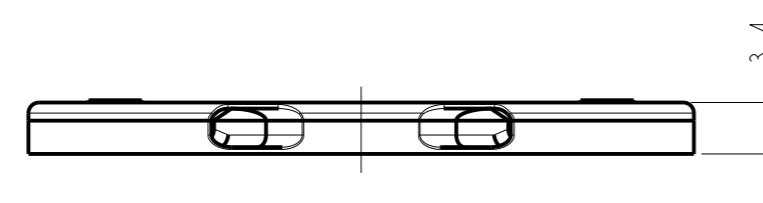
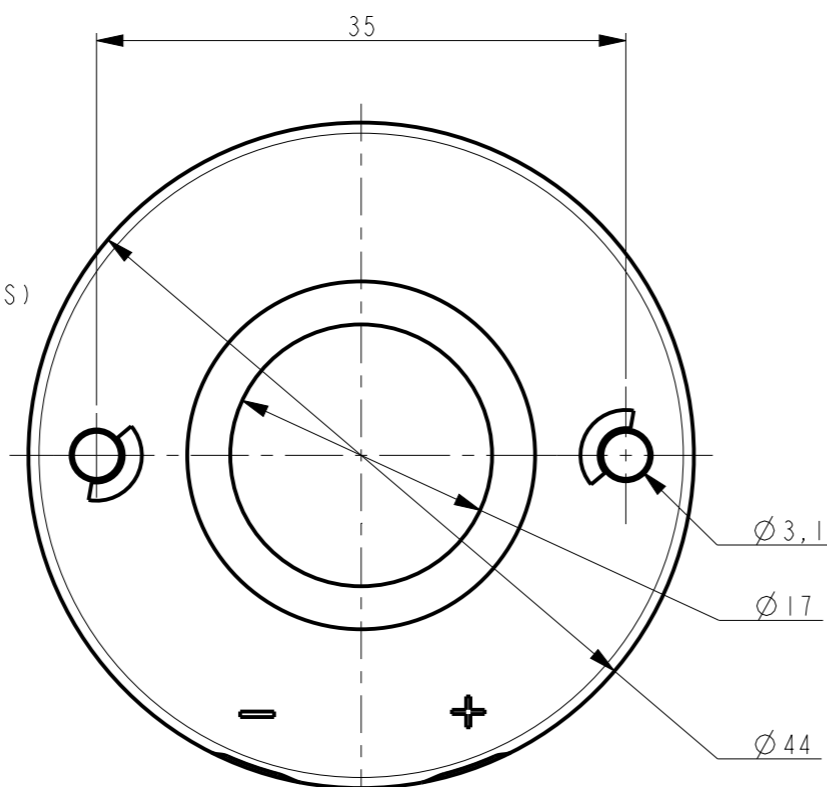


THIS DRAWING IS UNPUBLISHED. RELEASED FOR PUBLICATION
 © COPYRIGHT - BY TYCO ELECTRONICS CORPORATION. ALL RIGHTS RESERVED.

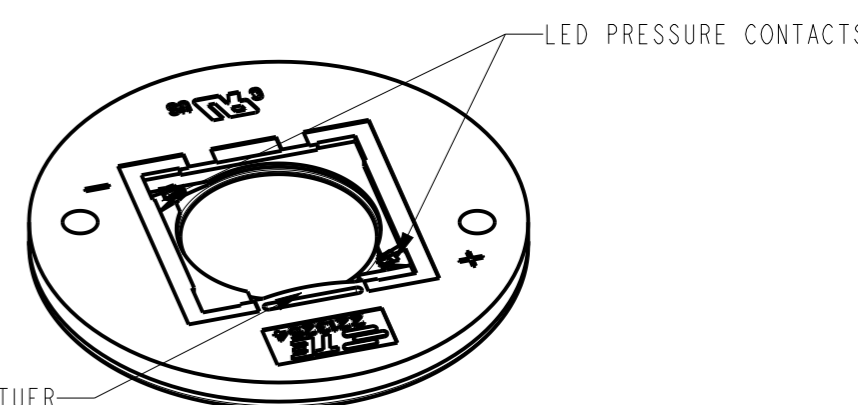
LOC	DIST	REVISIONS					
H	-	P	LTR	DESCRIPTION	DATE	DWN	APVD
			A	RELEASED PER ECR-13-012395	05-AUG-13	MVE	OL
			A1	REVISED PER ECR-14-000133	06JAN2014	AB	OL
			-	-	-	-	-

NOTES:

- MATERIALS:
HOUSING: GLASS FILLED PBT
COLOR : NATURAL/WHITE
CONTACTS: SILVER PLATED COPPER ALLOY
- FOR SOLID AND STRANDED WIRE AWG 22-18
- COMPLIES WITH DIRECTIVE 2002/95/EC (ROHS)
- M3 SCREW TO BE USED FOR MOUNTING



SCALE 3:2



2213254-1 AS SHOWN

LUMAWISE LED HOLDER Z50 LOW PROFILE

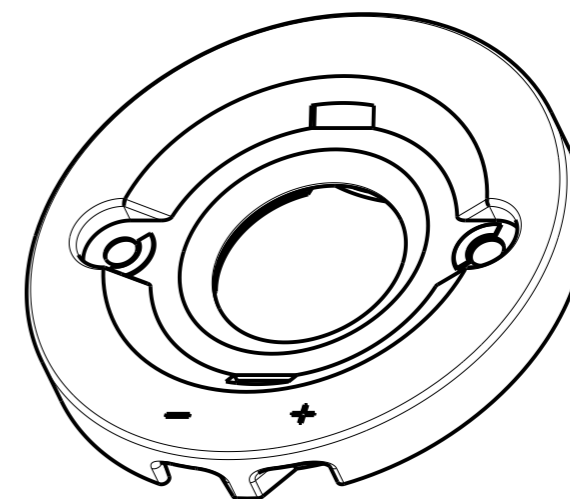
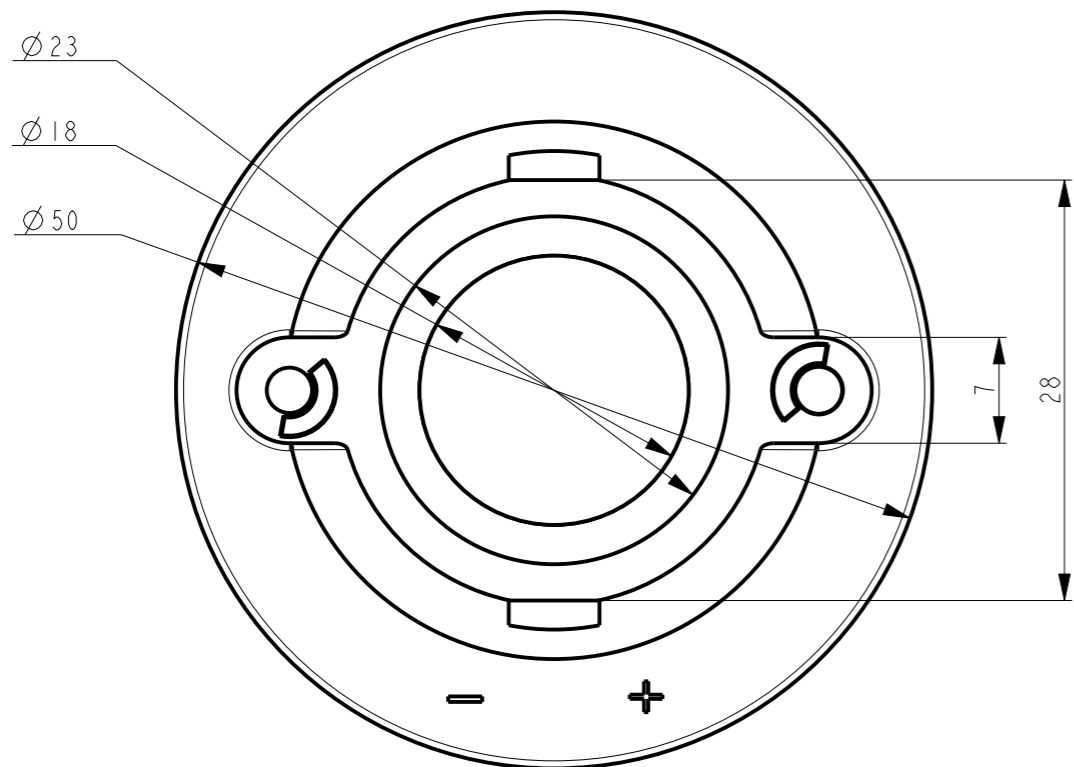
2213254-2	LUMAWISE LED HOLDER Z50 STANDARD PROFILE 1919
2213254-1	LUMAWISE LED HOLDER Z50 LOW PROFILE 1919
PART NUMBER	DESCRIPTION

THIS DRAWING IS A CONTROLLED DOCUMENT.		DWN	6-AUG-13	 TE Connectivity PRELIMINARY LUMAWISE LED HOLDER Z50 1919							
DIMENSIONS: mm		CHK	6-AUG-13								
TOLERANCES UNLESS OTHERWISE SPECIFIED:		APVD	6-AUG-13								
0 PLC ±- 1 PLC ±- 2 PLC ±- 3 PLC ±- 4 PLC ±- ANGLES ±-		NAME	O. IFLINSE								
MATERIAL -		PRODUCT SPEC	108-133008	SIZE	A3	CAGE CODE	00779	DRAWING NO	C-2213254	RESTRICTED TO	-
FINISH -		APPLICATION SPEC	114-32048	SCALE	2:1	SHEET	1	OF	3	REV	A1
CUSTOMER DRAWING		WEIGHT	-								

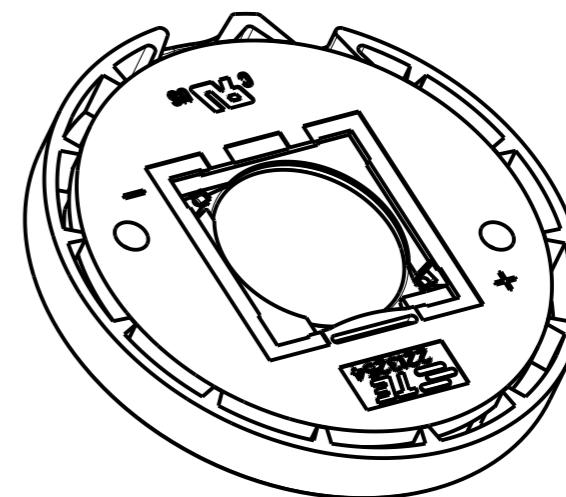
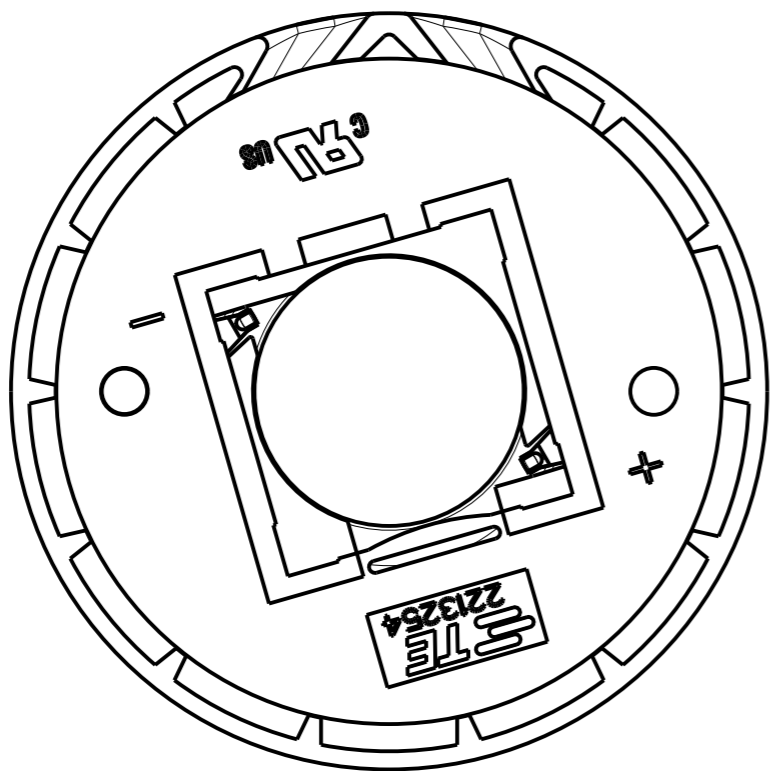
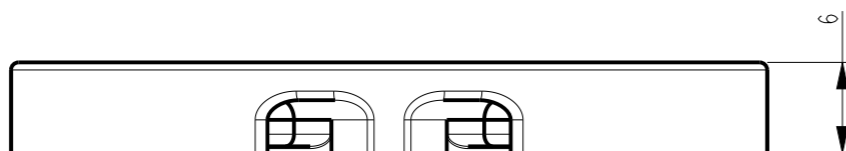
THIS DRAWING IS UNPUBLISHED. RELEASED FOR PUBLICATION

© COPYRIGHT - BY TYCO ELECTRONICS CORPORATION. ALL RIGHTS RESERVED.

LOC	DIST	REVISIONS					
H	-	P	LTR	DESCRIPTION	DATE	DWN	APVD
				SEE SHEET 1			




SCALE 3:2



2213254-2 AS SHOWN

LUMAWISE LED HOLDER Z50 STANDARD PROFILE

THIS DRAWING IS A CONTROLLED DOCUMENT.		DWN M.V.ESSSEN 6-AUG-13	 TE Connectivity	
DIMENSIONS: mm		CHK M.V.ESSSEN 6-AUG-13		
TOLERANCES UNLESS OTHERWISE SPECIFIED:		APVD O.I.FLJNSE 6-AUG-13	NAME LUMAWISE LED HOLDER Z50 1919	
0 PLC ±-		PRODUCT SPEC 108-133008	RESTRICTED TO	
1 PLC ±-		APPLICATION SPEC 114-32048	SIZE A3	CAGE CODE 00779
2 PLC ±-		WEIGHT -	DRAWING NO C-2213254	
3 PLC ±-		CUSTOMER DRAWING	SCALE 2:1	
4 PLC ±-			SHEET 2 OF 3	
ANGLES ±-		REV A1		
MATERIAL -	FINISH -			

THIS DRAWING IS UNPUBLISHED.

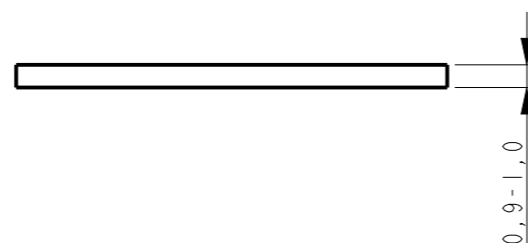
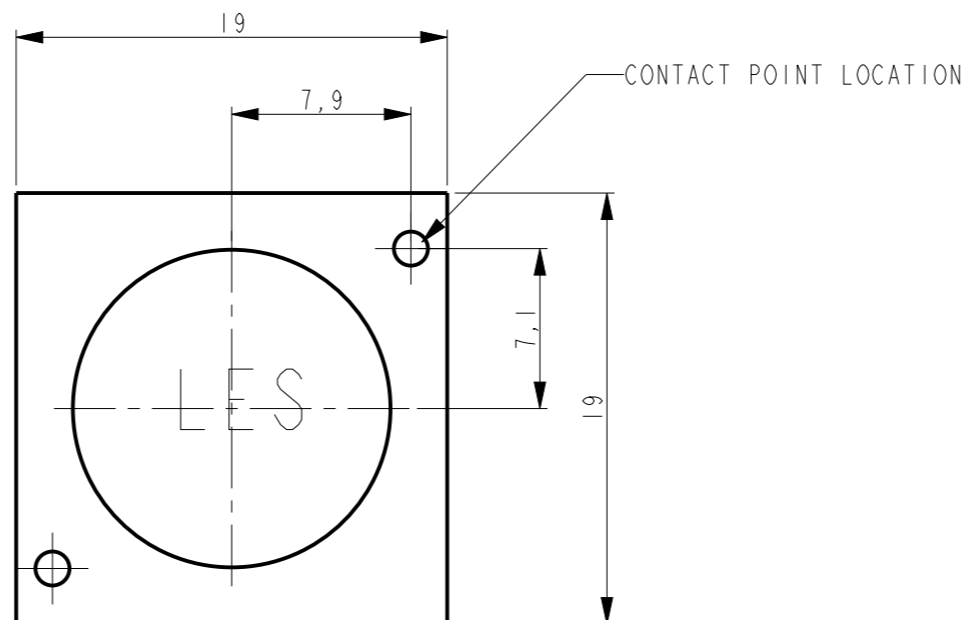
RELEASED FOR PUBLICATION


© COPYRIGHT - BY TYCO ELECTRONICS CORPORATION. ALL RIGHTS RESERVED.

LOC	DIST	REVISIONS					
H	-	P	LTR	DESCRIPTION	DATE	DWN	APVD
				SEE SHEET 1	-	-	-

THE SKETCH BELOW IS SHOWING THE NOMINAL LED COB DIMENSIONS TO MATCH WITH THE Z50 LED HOLDER 1919

FOR TECHNICAL DETAILS ABOUT A PROPER MATCH WITH A SPECIFIC LED COB ARRAY PLEASE CONTACT A REPRESENTATIVE AT TE-CONNECTIVITY



THIS DRAWING IS A CONTROLLED DOCUMENT.		DWN M.V.ESSSEN 6-AUG-13	 TE Connectivity											
DIMENSIONS: mm		CHK M.V.ESSSEN 6-AUG-13												
TOLERANCES UNLESS OTHERWISE SPECIFIED:		APVD O.I.FLJNSE 6-AUG-13												
<table border="0"> <tr><td>0 PLC</td><td>±-</td></tr> <tr><td>1 PLC</td><td>±-</td></tr> <tr><td>2 PLC</td><td>±-</td></tr> <tr><td>3 PLC</td><td>±-</td></tr> <tr><td>4 PLC</td><td>±-</td></tr> <tr><td>ANGLES</td><td>±-</td></tr> </table>		0 PLC			±-	1 PLC	±-	2 PLC	±-	3 PLC	±-	4 PLC	±-	ANGLES
0 PLC	±-													
1 PLC	±-													
2 PLC	±-													
3 PLC	±-													
4 PLC	±-													
ANGLES	±-													
MATERIAL -		FINISH -	NAME LUMAWISE LED HOLDER Z50 1919											
		WEIGHT -	SIZE A3	CAGE CODE 00779										
		CUSTOMER DRAWING	DRAWING NO C-2213254	RESTRICTED TO -										
			SCALE -	SHEET 3 OF 3										
				REV A1										